

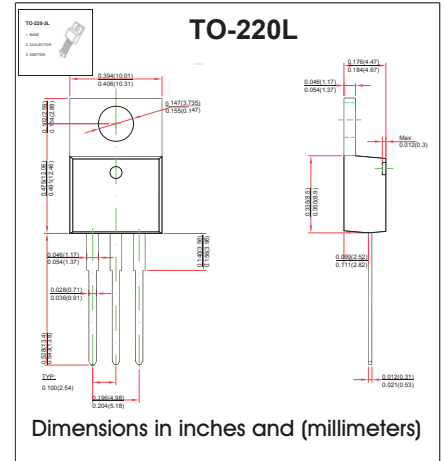
Three-terminal positive voltage regulator

FEATURES

- Maximum output current IOM: 1.5 A
- Output voltage VO: -9V
- Continuous total dissipation
PD: 1.5 W (T_a= 25 °C)

MECHANICAL DATA

- Case: TO-220 Small Outline Plastic Package
- Polarity: Color band denotes cathode end
- Mounting Position: Any



ABSOLUTE MAXIMUM RATINGS

(Operating temperature range applies unless otherwise specified)

Parameter	Symbol	Value	Unit
Input Voltage	V _i	-35	V
Thermal Resistance from Junction to Air	R _{θJA}	83.3	°C/W
Operating Junction Temperature Range	T _{OPR}	0~+150	°C
Storage Temperature Range	T _{STG}	-65~+150	°C

ELECTRICAL CHARACTERISTICS AT SPECIFIED VIRTUAL JUNCTION TEMPERATURE (V_i=-15V, I_o=500mA, C_i=2.2μF, C_o=1μF, unless otherwise specified)

Parameter	Symbol	Test conditions	Min	Typ	Max	Unit
Output Voltage	V _o	25°C	-8.64	-9	-9.36	V
		-11.5V ≤ V _i ≤ -24V, I _o =5mA-1A	0-125°C	-8.55	-9	-9.45
Load Regulation	ΔV _o	I _o =5mA-1.5A	25°C		180	mV
		I _o =250mA-750mA	25°C		80	mV
Line Regulation	ΔV _o	-11.5V ≤ V _i ≤ -26V	25°C		140	mV
		-13V ≤ V _i ≤ -19V	25°C		70	mV
Quiescent Current	I _q	25°C		1.6	2.6	mA
Quiescent Current Change	ΔI _q	-11.5V ≤ V _i ≤ -26V	0-125°C		1	mA
		5mA ≤ I _o ≤ 1A	0-125°C		0.5	mA
Ripple Rejection	RR	-11.5V ≤ V _i ≤ -21.5V, f=120Hz	0-125°C	54	60	dB
Dropout Voltage	V _d	I _o =1A	25°C	1.1		V
Peak Current	I _{pk}	25°C		2.1		A

* Pulse test.

TYPICAL APPLICATION

